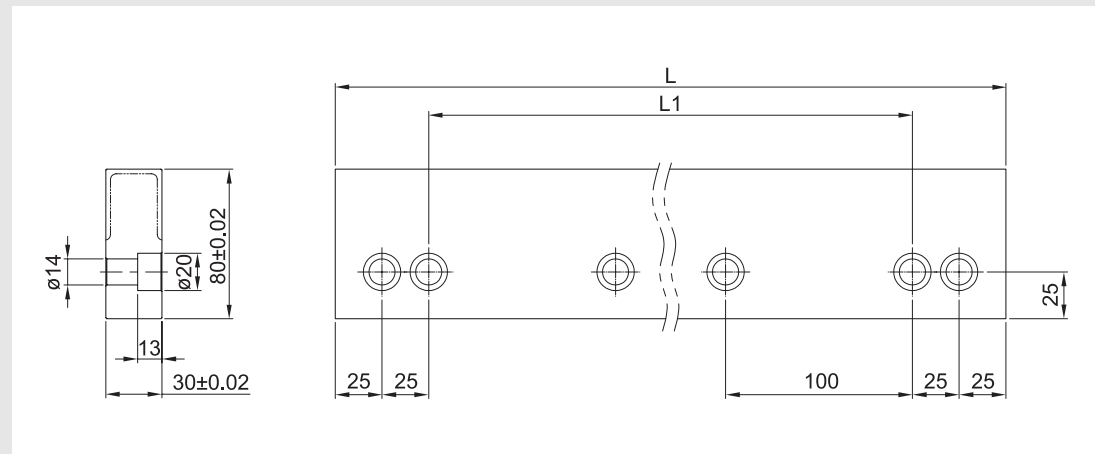


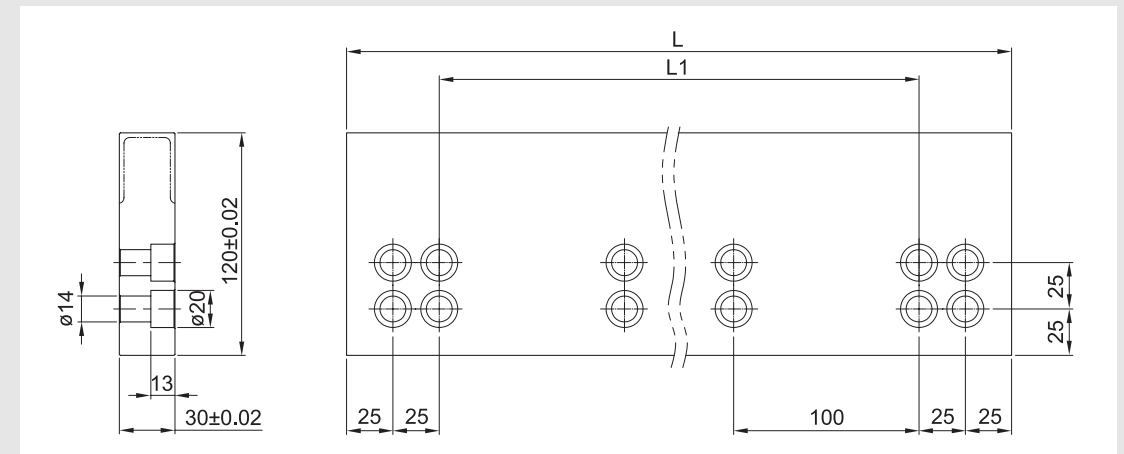
F308 Type



(Unit : mm)

Model No.	L	L1	Mass [kg]
F308-2000	2000	1900	35.6
F308-1000	1000	900	17.8

F312 Type



(Unit : mm)

Model No.	L	L1	Mass [kg]
F312-2000	2000	1900	56.1
F312-1000	1000	900	28.1