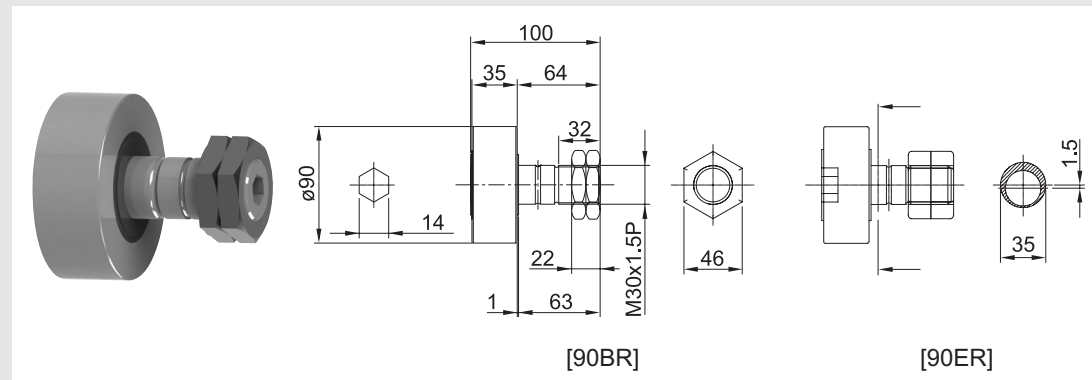
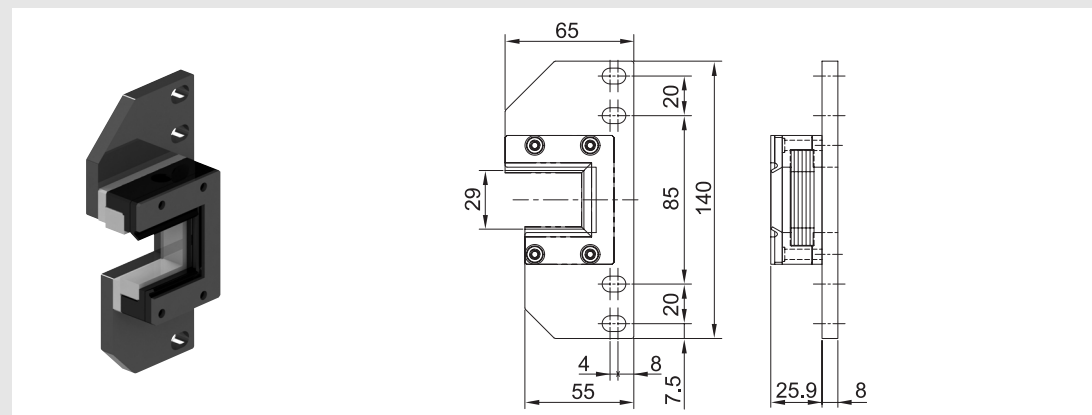


## Carriage Option

### [Roller bearing]



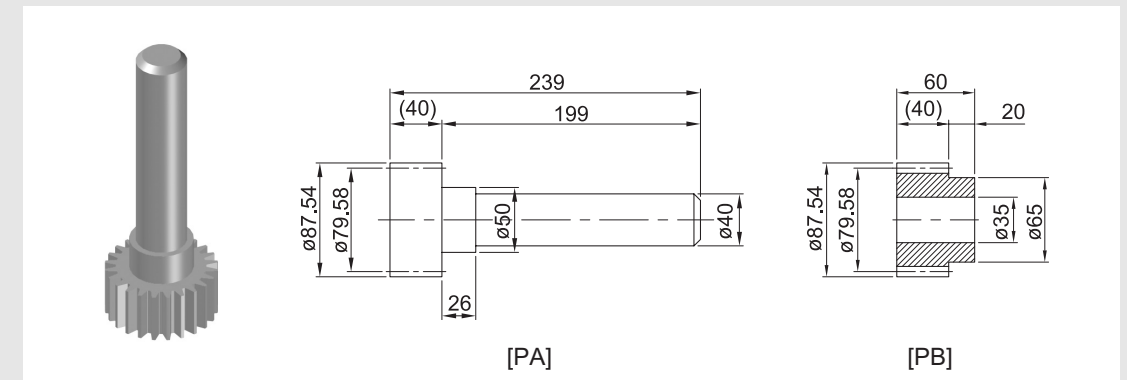
### [Wiper and lubrication unit]



Type	Direction
72WR	Right
72WL	Left

## Carriage Option

### [Pinion gear]



Type	Z	M	P	Mat.
PA	20	3.9789	12.5	SM45C
PB	20	3.9789	12.5	SM45C

Z : The number of gear

M : Module

P : Pitch

Mat.: Material